

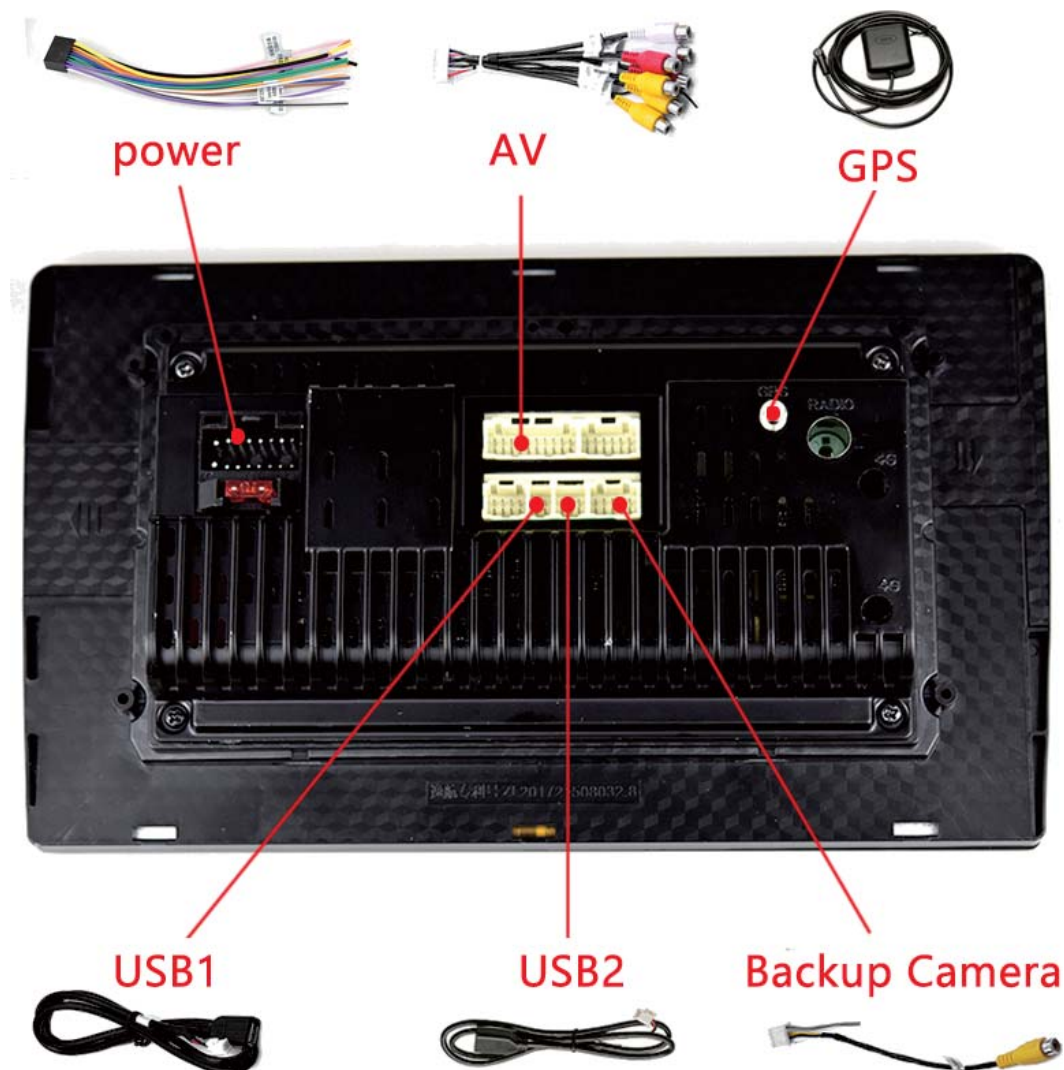
Android Car Multimedia Player Installation Manual

Precautions for use

To ensure the safety, be sure to do the following basic requirements:

1. Please read all relevant instructions carefully before using the unit. If the unit is damaged due to improper operation, the warranty will not be available.
2. This device is a 12V machine and can only be used on a 12V power supply.
3. To ensure safe driving and avoid illegal traffic regulations, do not watch programs or operate the unit while driving.
4. To prevent short circuits. Please do not place or leave any metal objects inside the device.
5. To avoid short circuits. Do not allow the unit to come into contact with rain.
6. Please use this device according to this manual. Do not open the unit for maintenance. If there is any repair, please go to the professional repair station for repair.
7. When the engine is off, do not use the car audio for a long time, otherwise it will run out of battery power.
8. Do not touch or tap the screen with a sharp object.
9. Thank you very much for using our Android car navigation system.

Product back display



Common settings

1.How to set car model

*This setting is only required for some models. If your car does not need can box, please ignore this option.

M3 : Setting→car setting→extra settings→PW:123456 →model choose

M8/ M10: Setting→Factory→PW:123456 →Select models

*Please perform this operation in an online state. If it is prompted that the update is in progress, please wait for the update to complete before proceeding.

*For the "Can box" option in the first line, please select the Can box brand, usually you can find it on the front or back of the Can box. If you are not sure, please take a picture of the can box and contact us.

*After the setting is completed, please click the "OK" button to save the setting, and then restart the device until the red warning font disappears.

2.How to set the logo:

M3 : Setting→car setting→extra settings→PW: 123456→LOGO settings

M8/ M10: Setting→Factory→PW: 123456 →LOGO settings

3.How to set the language:

M3:Setting→System→languages & input→language

M8/ M10: Setting→More→System→languages & input→language

4.How to learn in the steering wheel control function?

M3 : Setting→car setting→Steering Wheel

M8/ M10: Setting→Original→Steering Wheel

*One hand touches button on menu, one hand presses button on steering wheel after you set it, it will work.

5.Rear camera installation method

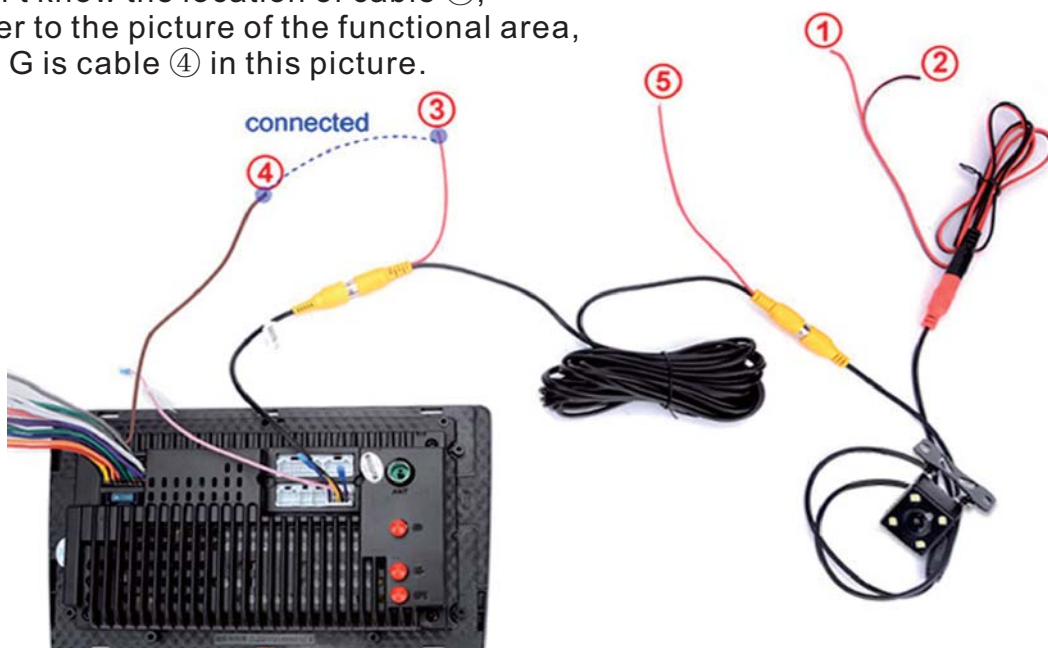
1)Red cable ① is connected to the backup light "+" ;

2)black cable ② is connected to the backup light "-" ;

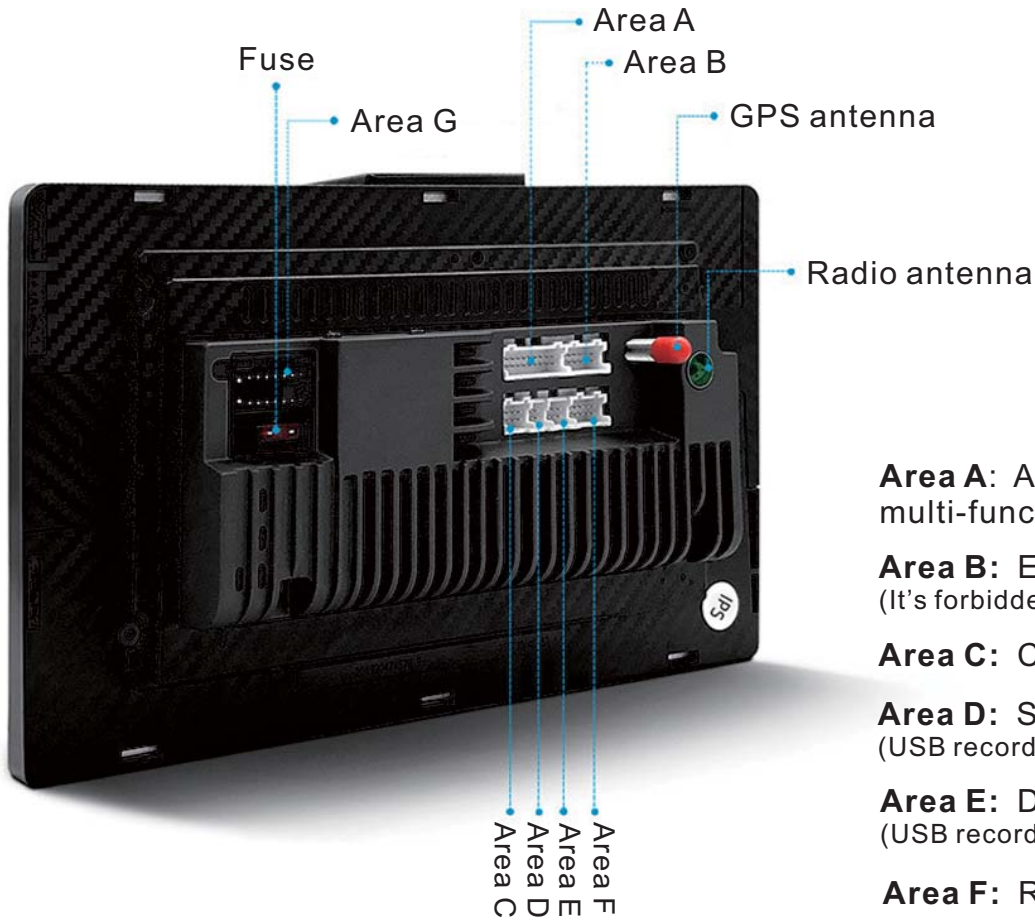
3)The reversing detection cable ④ Brown color is connected to the red cable ③ which extending from the video input cable ;

4)Red cable ⑤ is connected to the backup light "+" .

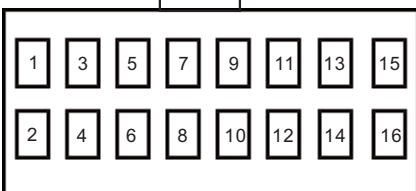
*If you don't know the location of cable ④, please refer to the picture of the functional area, G5 in Area G is cable ④ in this picture.



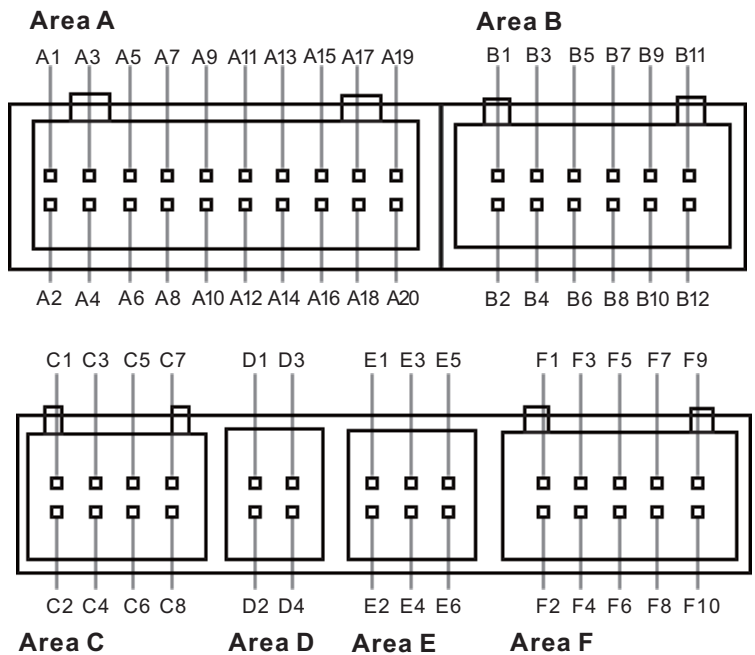
Android Workstation Function Area



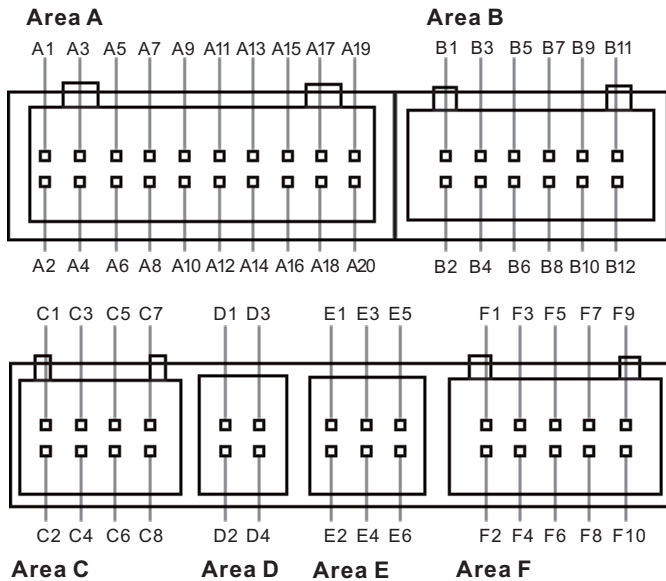
Area G



- G1:GND power line
- G2:B+ power
- G3:ACC key switch
- G4:ILL headlight detection
- G5:Back-up detection line
- G6:Steering Wheel Learning-1
- G7:Steering Wheel Learning-2
- G8:Automatic antenna power
- G9:FR_ Speaker front right
- G10:RL_ rear left speaker
- G11:FR + speaker front right
- G12:RL + speaker rear left
- G13:FL + speaker front left
- G14:Right after RR + speaker
- G15:FL + speaker front left
- G16:Right after RR-horn



Android Workstation Interface Definition



- A1: AMP_POW amplifier control
A2: GND ground wire (including audio RCA_FL / RCA_FR)
A3:AUXIN_R Right channel input
A4:RCA_FL Front left channel input
A5:AUX IN_L Left channel input
A6:RCA_FR Front right channel input
A7:LIN
A8:GND Ground(Including audio AUXIN_L / AUXIN_R)
A9:CAN2_H
A10:GND Ground(Including video CVBS_IN2)
A11:CAN2_L
A12:GND Ground (Including video CVBS_IN1 / CVBS_OUT)
A13:CAN1_H
A14:AV_OUT(Video output)
A15:CAN1_L
A16:SUB subwoofer output (reserved)
A17:CVBS_IN2 Video input 2
A18:CVBS_IN1 Video input 1
A19:MIC-Microphone- / CAN3_H (reserved)
A20:MIC-Microphone + / CAN3_L (reserved)

- B1:MIPI_DN0 B7:SCL0
B2:MIPI_DP0 B8:SDA0
B3:MIPI_DN1 B9:GPS 5V_CLT
B4:MIPI_DP1 B10:MIPIS_RST
B5:MIPI_CLKN B11:+14V
B6:MIPI_CLKP B12:GND

- C1:GND ground (including audio AUX2_L / AUX2_R)
C2:POW_12V Controlled 12V power supply (reserved)
C3:AUX2_L Audio
C4:AUX2_R Audio
C5:KEY_RST Reset button (reserved)
C6:IPOD_DET(Reserved)
C7:RX (Connect to plug-in protocol box TX)
C8:TX (Connect to plug-in protocol box TX)

- D1:USB_5V USB powered
D2:USB_DP0 USB0
D3:GND USB Power ground
D4:USB_DN0 USB0

- E1:USB_5V USB powered
E2:USB_DP2 USB1
E3:GND USB power ground
E4:USB_DN2 USB1
E5:USB_DN2 USB2 (Y_TXD)
E6:USB_DP2 USB2 (Y_RXD)

- F1:XD_TPMS Connect external plug OBD / tire pressure box TX
F2:NC
F3:XD_TPMS Connect to external OBD / tire pressure box RX
F4:GND Ground
F5:POW_5V 5V power supply
F6:CAM_CVBS Reversing video
F7:BACK_CAM_POW(Powered by reversing camera)
F8:GND Ground
F9:BREAK1(Handbrake detection line)
F10:WIFI_ANT(WIFI antenna 30mm)